



FRSA
Fire Rescue Safety Australia

RAMFAN®

PRODUCT DATA SHEET

UB20 8" / 20cm Blower/Exhauster

RAMFAN® combines high performance turbofan design with high strength polymers to create a line of rugged, portable turbo blowers. The UB-Line is ideal for general use, confined space ventilation and delivers the highest airflow in it's class. The double-wall, polyethylene casing is light-weight, corrosion and chemical resistant and handles the bumps and falls of any job site.

The 8"/20 cm UB20 turbo blower is at the heart of the RAMFAN industrial ventilation systems that provide you with the complete solution for common confined space ventilation applications. The multi-purpose blower and exhauster delivers powerful airflow in a compact and lightweight package.

SPECIFICATIONS

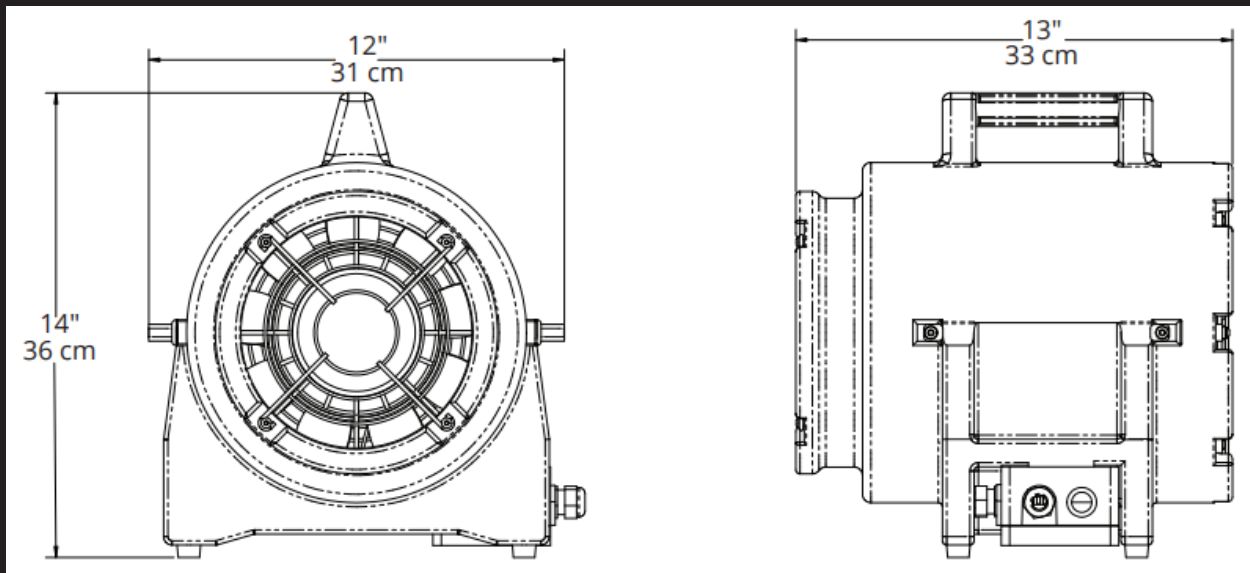
Model	UB20 (115V)	UB20 (230V)	UB20 (12DC)
Part #	ED7002	ED8002	ED9002
IMPA/NSN	IMPA Code: 591406	NSN: 4940-01-559-9190	
Motor	1/3 Hp	0.19 kW	0.25 Hp / 0.19 kW
Motor Type	Thermally Protected Motor		
Electric	115V, 50/60Hz, 1ø	230V, 50/60Hz, 1ø	12VDC
Amps (Start/Run)	9.5A / 2.5A	4.8A / 1.3A	11.5A
Cable Lengths	15'/4.6m, 16AWG/1.5mm ²		15'/4.6m, 12AWG w/ battery clips
Plug Types	15A NEMA 5-15P	16A Schuko	SMH SB Connector for battery clips
Noise	74 dB @ 3' (1 m)		
Weight	17 lbs / 8 kg		
Dimensions (h/w/d)	14 x 12 x 13 in / 36 x 31 x 33 cm		
Duct Adapter	1		

PERFORMANCE

Airflow	UB20 (115V)	UB20 (230V)	UB20 (12DC)
Free Air	980 cfm (1,666 m ³ /hr)	819 cfm (1,392 m ³ /hr)	862 cfm (1,465 m ³ /hr)
Through Duct			
15'/4.6 m w/ one 90° turn:	789 cfm (1,341 m ³ /hr)	659 cfm (1,120 m ³ /hr)	695 cfm (1,181 m ³ /hr)
15'/4.6 m w/ two 90° turns:	666 cfm (1,132 m ³ /hr)	558 cfm (948 m ³ /hr)	586 cfm (996 m ³ /hr)
25'/7.6 m w/ one 90° turn:	722 cfm (1,227 m ³ /hr)	603 cfm (1,025 m ³ /hr)	635 cfm (1,079 m ³ /hr)
25'/7.6 m w/ two 90° turns:	614 cfm (1,044 m ³ /hr)	510 cfm (867 m ³ /hr)	537 cfm (912 m ³ /hr)

CERTIFICATIONS & APPROVALS





AVAILABLE ACCESSORIES

UB20 (115V) and Quick-Couple Canister

ED7015

115V UB20 w/ Quick-Couple™ Canister
and 15' (4.6m) duct

ED7025

115V UB20 w/ Quick-Couple™ Canister
and 25' (7.6m) duct



UB20 (12D) and Quick-Couple Canister

ED9015

12V DC UB20 w/ Quick-Couple™ Canister and
15' (4.6 m) duct

ED9025

12V DC UB20 w/ Quick-Couple™ Canister and
25' (7.6 m) duct

ECKO Flex™ with carrying bag

FDT-21624046BR

8" (20cm) standard duct 15' (4.6 m),
w/ carrying bag

FDT-21624076BR

8" (20cm) standard duct 25' (7.6 m),
w/ carrying bag



VENTILATION SYSTEMS



UB20 M.E.D.™ Manhole Entry System AC/DC

The M.E.D.™ allows workers to enter and exit small man-size openings while maintaining continuous ventilation. Without such a device, duct fills the manhole opening, preventing rapid entry and exit.

All Systems include: UB20, Quick-Couple Canister with 15'/4.6m duct and 5'/1.5m duct, Manhole Entry Device (MED), 90° elbow, universal mount and duct adapter

Order No#	ED7015-MED UB20 (115V)	ED8015-MED UB20 (230V)	ED9015-MED UB20 (12V DC)
------------------	----------------------------------	----------------------------------	------------------------------------



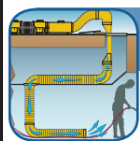
Battery Pak System UB20 (12V DC) with Pak & Charger

RAMFAN Battery Pak with dual high-low speed control to quickly purge the area then maintain fresh air for the entire work shift. Power fan for 2.5 hours on high setting or extend up to 8 hours on low setting. Built in charger to fully recharge in 12 hours. Alternatively, the fan can be powered by a vehicle battery with supplied connectors.

All Systems include: UB20 (12V DC), Battery Pak with Built-in Charger, Battery Clips and Quick Couple Canister with duct. Charger voltage and duct length will vary by order#.



Order No#	ED9015-BAT 115V Charger 15'/4.6 m duct	ED9015-BATCE 230V Charger 15'/4.6 m duct	ED9025-BAT 115V Charger 15'/4.6 m duct	ED9025-BATCE 230V Charger 15'/4.6 m duct	ED9002-BAT 115V Charger Canister & duct not included
------------------	---	---	---	---	---



Extended Duct System

Quickly connect two or more RAMFAN UB20 axial blowers in series increases airflow up to 50% when blowing through long and windy duct runs. Long, windy duct runs need more power and pressure to deliver sufficient airflow, a costly proposition. The Turbo-Couple™ delivers what is needed by quickly joining two or more UB20's in series.



Order No#	ED7000TC - 115V UB20 (qty. 2) and Turbo-Couple	ED8000TC - 230V UB20 (qty. 2) and Turbo-Couple
------------------	---	---



UB20 In-Line Heating System

Easily connect the UB20 In-Line Heater to heat confined spaces, command centers or rescue shelters for up to 8 hours. Delivers up to 55,000 BTU of safe, warm breathable air.

The system includes: 115V UB20, Propane Heater and duct

Order No#	ED7125-HT - Heater System w/ 15'/4.6 m duct and carry bag	HA01-100HT - Heater System w/ 15'/4.6 m duct and Quick-Couple™ canister	HA01-125HT - Heater System w/ 25'/7.6 m duct and Quick-Couple™ canister
------------------	--	---	---

